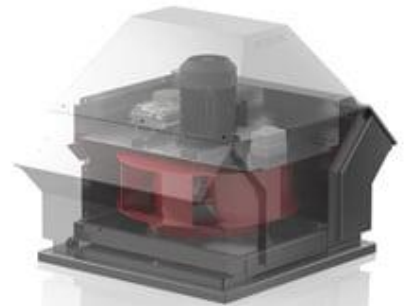
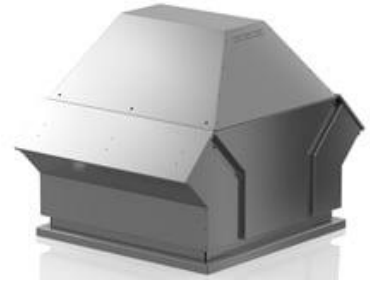


Specification of: RDM 3E-3535-4W-08-J

Centrifugal roof fan RDM 3E with HIGH EFFICIENCY motor in efficiency class IE2 (IEC 60034-30)

with swirl free vertically directed discharge for gas medium up to app. +120 °C. Stylish sealed casing manufactured from aluminium, Base frame of galvanized sheet steel for fitting to upstand, projecting well beyond the upstand in order to increase weatherproofing. Discharge outlets are protected from the weather on fan shutdown by automatic backdraught shutters. Casing parts, and the impeller plus motor, are easily removed for inspection and maintenance. High performance centrifugal impeller with backward curved blades directly fitted to a standard IEC-motor shaft, execution B5, protection IP 55, with terminal box fitted and ready for connection. The motor is equipped with PTC Thermistors as a standard. Operation directly from the mains is not allowed in Europe. It is recommended to use a Danfoss-VFD drive of series FC-102. Flange connection at intake acc. to DIN 24155-2 Protection grid at discharge balanced statically and dynamically according to DIN ISO 21940-11. Service switch fitted available as an accessory Performance data in according DIN 24166 tolerance class 2 (BS 848 Class "B"). Meets the efficiency requirements of Regulation EU1253/2014 for ventilation units.

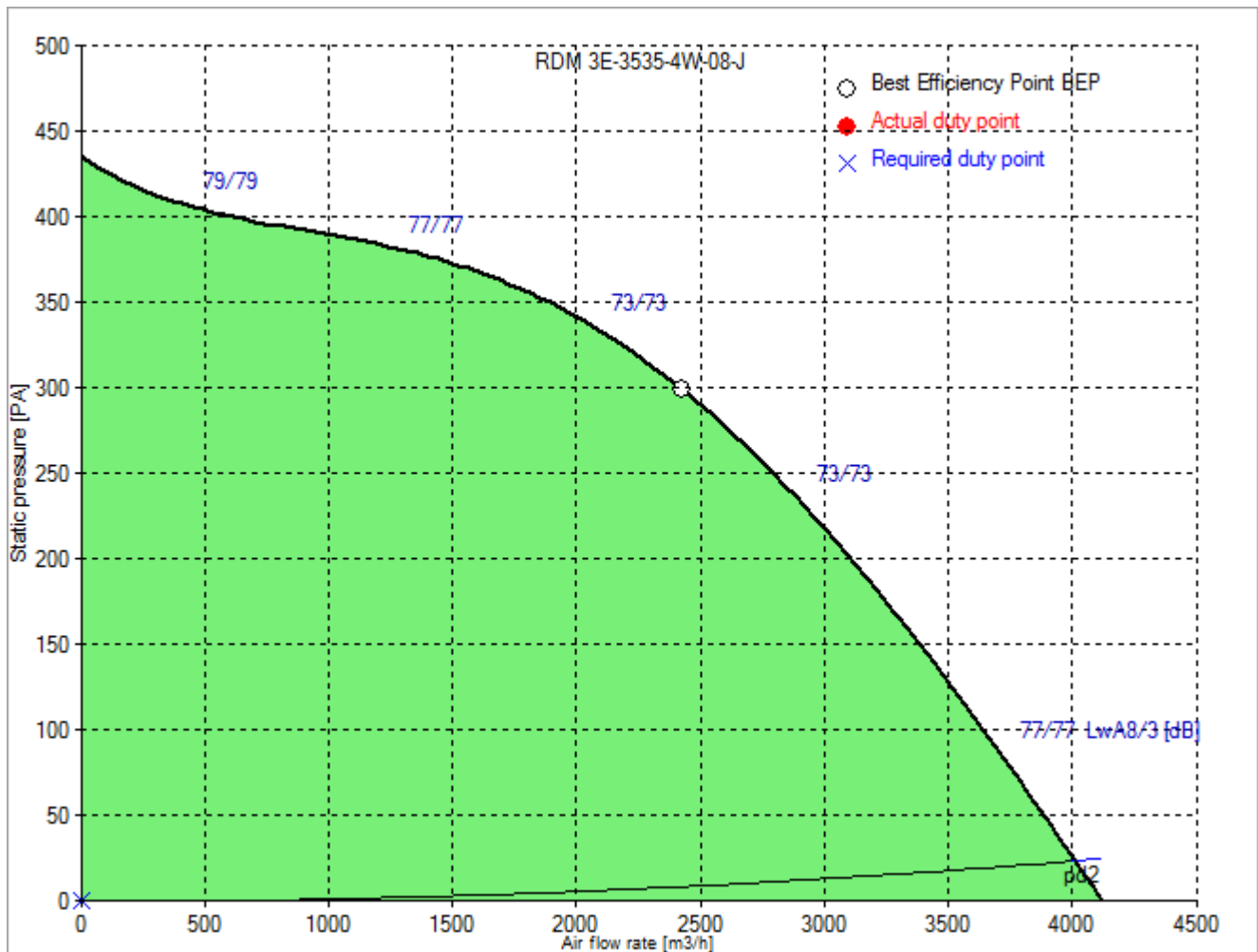


Technical data of the fan: RDM 3E-3535-4W-08-J

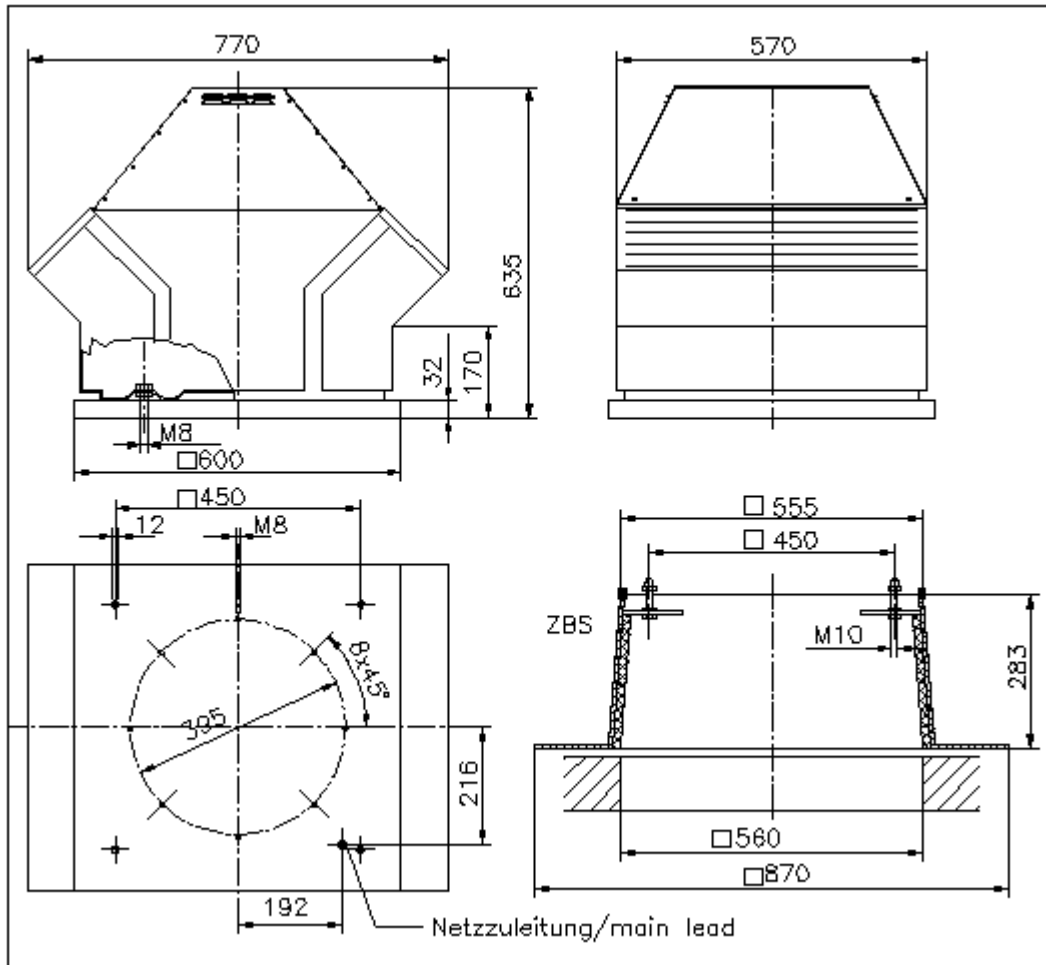
[fulfills the ErP requirements 2018 at BEP](#)

Description	Value Dimension
Specified duty point	
Actual duty point	
Installation acc. DIN 24163 Part 1	A
Reference density (Rho1)	1.20 kg/m ³
Medium temperature (t)	20 C
Fan weight	36 kg
<small>This duty point can only be reached by using an inverter/controller for motor speed control!</small>	
Rated data	
Phases-Voltage-Frequency	3~230/400-50 V-Hz
Frame size-poles:	71-4
Motor rating (P _N)	0.37 kW
Rated motor speed (n _N)	1400 min ⁻¹
Rated motor current (I _N)	1,75/1,01 A
operational limits	
Max. absorbed power (P _{1max})	0.507 kW
Max. fan speed (n _{vmax})	1625 min ⁻¹
Max. operating frequency (f _{max})	56 Hz
Temperature range of conveying medium (t _{min} ... t _{max})	-20...120 C

Fan curve to RDM 3E-3535-4W-08-J



Dimensions to RDM 3E-3535-4W-08-J



Rotation:
Handing:

RD
90